



















## NPG CHARBROILER PARTS LIST (Continued)

Item #	Description	NPG-60		NPG-30	
		Qty	Part No.	Qty	Part No.
1	Cooking Top Grid, Heave Duty	2	39-12-05253	1	39-12-05253
	Cooking Top Grid, Standard	2	41-00-02804	1	41-00-02804
2	Radiant	8	54-03-05003	4	54-03-05003
3	Screw & Nut, 1/4-20 x 1-1/2"	16	40-01-04851/04852	8	40-01-04851/04852
4	Screw & Nut, 1/4-20 x 1/2"	50	40-01-00496/04852	26	40-01-00496/04852
5	Burner	8	30-03-04860	4	30-03-04860
6	Frame Assembly	1	52-08-09834	1	52-08-09831
7	Runner Tube Bracket	5	54-03-05002	3	54-03-05002
8	Runner Tube Cover	2	51-99-05104	1	51-99-05106
9	Water Tub	2	53-LS-02974	1	53-LS-02974
10	Base Assembly	1	53-LS-02030	1	53-LS-03003
11	Runner Tube, LH, Natural Gas,	1	30-06-04193	1	30-06-04349
	Runner Tube, LH, Propane Gas	1	30-06-02925	1	30-06-04101
12	Runner Tube, RH, Natural Gas	1	30-06-04194	—	—
	Runner Tube, RH, Propane Gas	1	30-06-05138	—	—
13	Runner Supply Tube	2	56-08-04901	1	56-08-04901
14	End cap, RH, for NPG	1	54-03-09746	1	54-03-09746
15	Fitting, 3/16 C x 1/8 MPT	1	29-05-00300 (Tee)	1	29-02-00298
16	Valve, Main Burner	8	28-02-08775	4	28-02-08775
17	Plug, Pipe, 1/8 NPT	1	29-09-05402	1	29-09-05402
18	Manifold Assembly, Nat/Propane	1	52-01-09891	1	52-01-09942
19	Elbow, 3/4 NPT Pipe, 90°	1	29-02-00349	1	29-02-00349
20	Regulator, Appliance, Natural Gas	1	27-01-00282	1	27-01-00282
	Regulator, Appliance, Propane	1	27-01-00283	1	27-01-00283
21	Valve, Main Gas	1	28-02-04869	1	28-02-08775
22	Nipple, 3/4" NPT Close	2	08-01-00102	2	08-01-00102
23	End cap, LH, for NPG	1	54-03-09810	1	54-03-09810
24	Leg w/Swivel Locking Caster	4	52-07-10300	4	52-07-10300
26	Outer Front	1	54-05-09814	1	54-05-09803
27	Knob	8	28-02-10323	4	28-02-10323
28	Center Support	1	53-LS-08716	—	—
29	Screw, 1/4-20 x 1/2"	2	40-01-00496	2	40-01-00496
30	Service Shelf	1	54-14-05744	1	54-14-09748
31	Shelf Bracket	2	60-03-02888	—	—
32	Fitting, 1/8 MPT X 3/16 C	2	29-02-00298	1	29-02-00298
33	Orifice, Natural Gas, #43, Short	8	29-08-09772	4	29-08-09772
	Orifice, Propane Gas, #55, Short	8	29-08-09773	4	29-08-09773
34	Fastener, Tinnerman Nut, 1/4-20	2	29-08-09715	2	29-08-09715
35	Matchstick holder w/ ring & chain	1	36-99-11151	1	36-99-11151
37	Grease Baffle	1	53-LS-04856	—	—
38	Trim, back (optional)	1	54-05-09068	1	54-05-09176
39	Trim, LH side (optional)	1	54-05-09857	1	54-05-09857
40	Trim, RH side (optional)	1	54-05-09856	1	54-05-09856

Table 1

## 7. BURNER & ORIFICE INSPECTION

- A. Remove the service shelf by removing the two screws at the ends (29).
- B. Slide service shelf (30) forward and then lift it off the unit.
- C. The front of the burners, the valve bodies, and orifices are now exposed for inspection. Looking down into the unit, compare these components with the diagram above (Figure 3).
- D. If the components **ARE NOT** aligned as shown in the diagram, **DISCONTINUE USE** and contact the manufacturer.
- E. If they appear as in the diagram, carefully replace the service shelf and re-insert the screws. Your unit is ready for use.

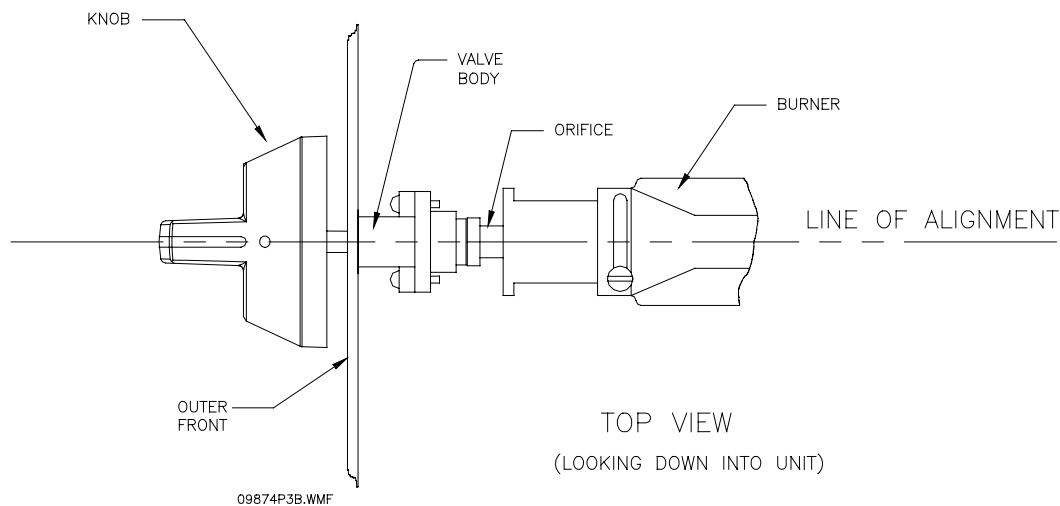


Figure 4

## 8. OPTIONS

Some optional accessories for your MagiCater Gas Charbroiler include:

- Stainless Steel Service Shelf — Durable, smooth working surface; matches the optional SS trim kit.
- MagiGriddle — Heavy polished steel griddle for cooking breakfasts, sautéing, etc.
- Steamer Set — Holds full-size hotel pans for steaming and warming.
- Cutting Board — Full length custom fitted Richlite cutting board fits over the service shelf.
- Split Hood — Twin roll-up hoods keeps heat in for roasting and broiling.
- Windguard — Keeps grill firing properly in windy conditions.
- Stainless Steel Trim Kit — For a sleek appearance and easy cleaning exterior.
- Slip-on Stainless Steel Service Shelf — Adds another full-size worktop space at the back.
- Heavy Duty Top Grid — For serious cooking workloads.
- Waterproof Slipcover — Durable custom fit cover that protects against dirt and weather damage.

## **9. WARRANTY:**

MagiKitch'n appliances are designed to give you long and satisfactory service if installed and operated in accordance with our instructions. This machine has been carefully tested, but in spite of such tests, there may be a defect not immediately noticeable. To protect you, we warrant this appliance against defective workmanship and material for 1 year from the date of shipment.

## **NOT WARRANTED:**

Accident to, misuse of, harsh chemical cleaners, or natural wear of this appliance.

## **IMPORTANT:**

Any defective parts must be returned for replacement under this warranty.

When writing, be sure to mention the serial number and model number appearing on the nameplate on the front of your equipment. Write the model, serial number and installation date in the information box on the front of this manual where it will always be handy when you need it.



**509 Route 3A  
Bow, NH 03304  
Voice (603) 225-6684  
FAX (603) 225-8472  
WWW.MAGIKITCHN.COM**